



SAFETY GUIDE

WARNING - Before using, read these user's manuals of this product to ensure correct usage through understanding. After reading, store them in a safe place for future reference. Incorrect handling of this product could possibly result in personal injury or physical damage. The manufacturer assumes no responsibility for any damage caused by mishandling that is beyond normal usage defined in these manuals of this product.

- You will be using sharp tools. Always use personal protective equipment such as gloves and safety glasses to avoid the risk of injury.
- Make sure the floor you step on is dry, free from any liquids such as oil and water when assembling this product. Use anti-slip shoes to avoid falling due to slips.
- Make sure there is adequate lighting when doing the assembly. When assembling keep it away from children and pets.

EQUIPMENT FOR ASSEMBLE

Not included in the item package.

- Safety Gloves and Safety Shoes
- Electrical Hand Drill

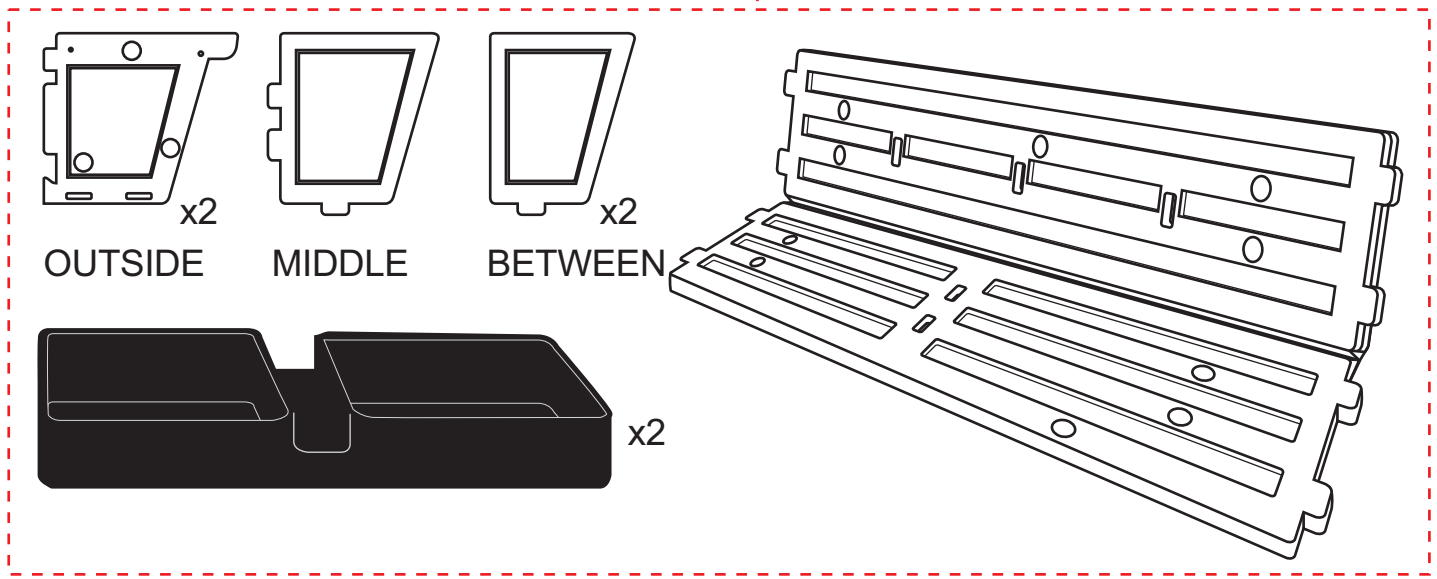
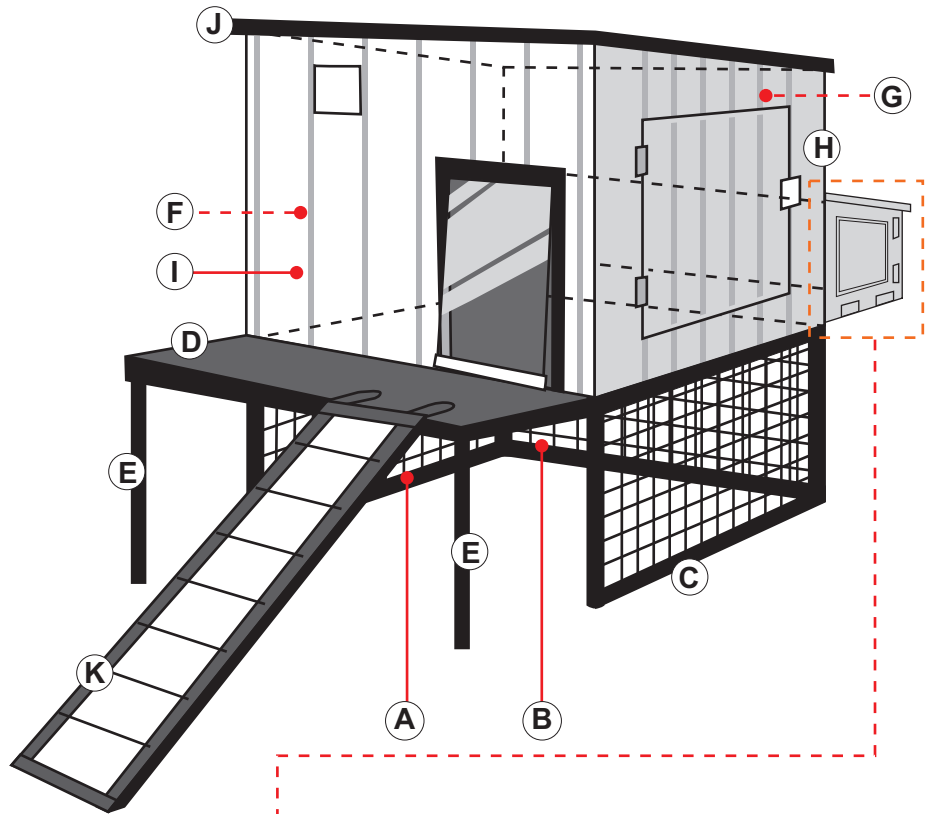
It is recommended that you have knowledge of assembly are helpfull.

SAFETY PRECAUTION



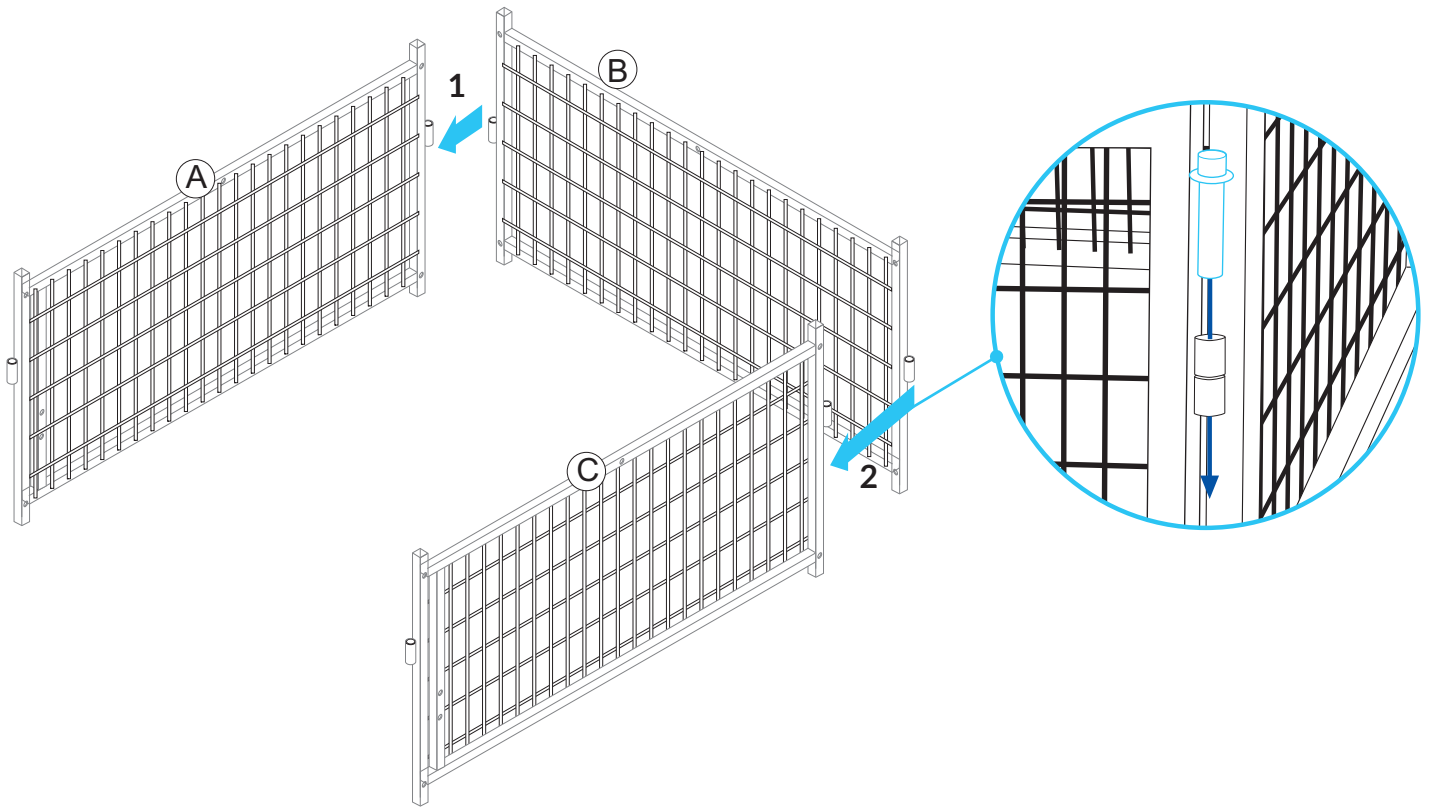
Parts List

- (A) Left Steel Panel
- (B) Rear Steel Panel
- (C) Right Steel Panel
- (D) Floor
- (E) Support Feet
- (F) Left Panel
- (G) Back Panel
- (H) Right Panel
- (I) Front Panel
- (J) Roof
- (K) Ramp

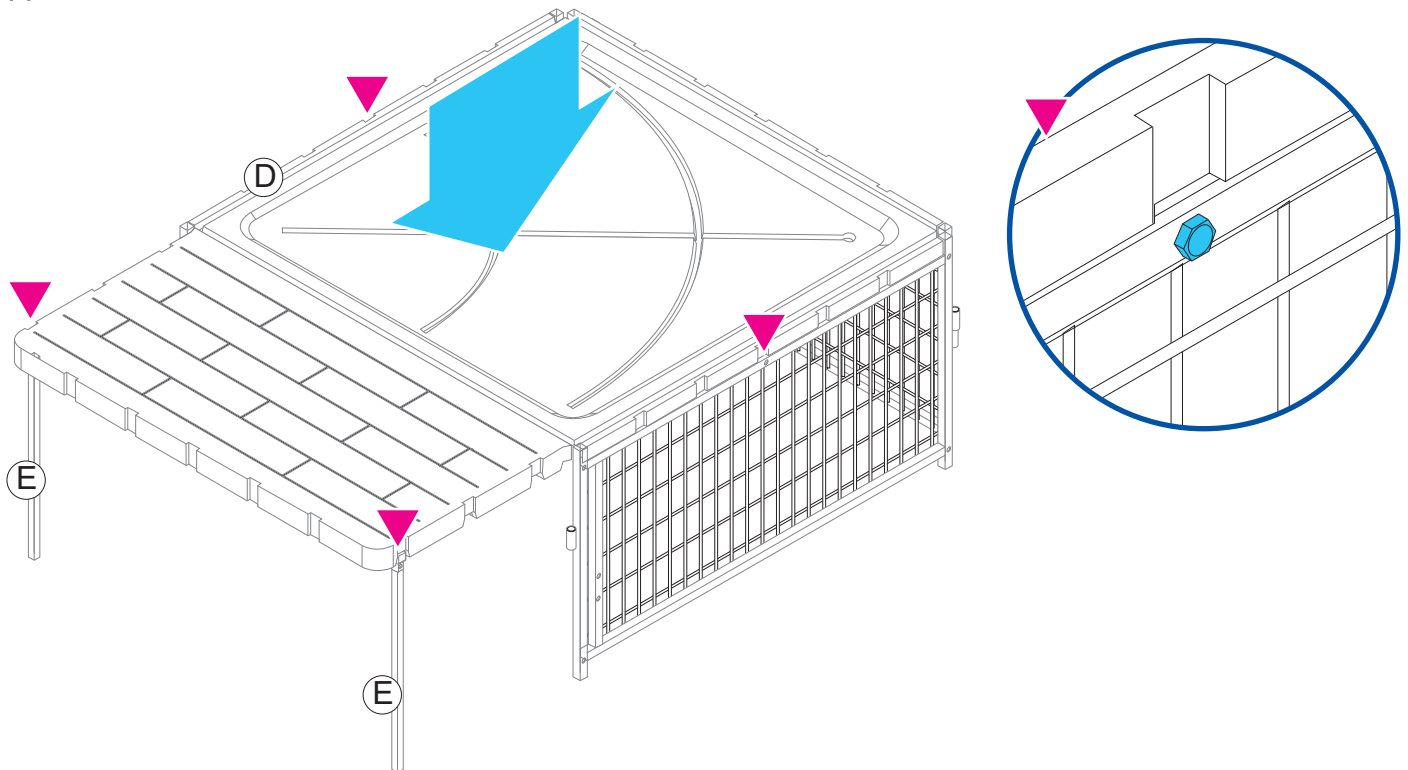


Assembling Instruction

Connect the sides of parts **A** and **C** so that they form an angle of 90 degrees, insert the metal hinge center in the hinge hole provided. Do the same thing between parts **B** and **C** so that they form like the letter U.

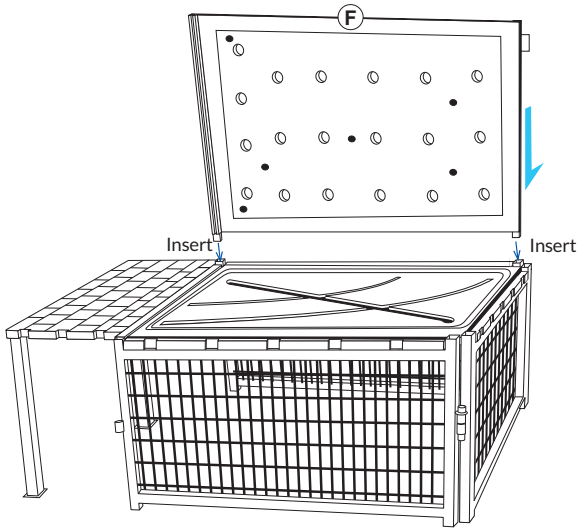


Place the **D** section on the footing that has been formed following the corners. After that put part **E** as a support.

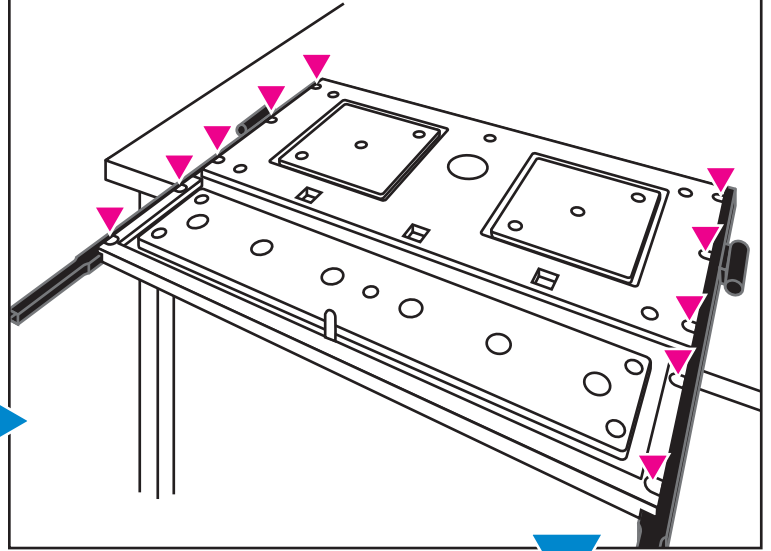


Assembling Instruction

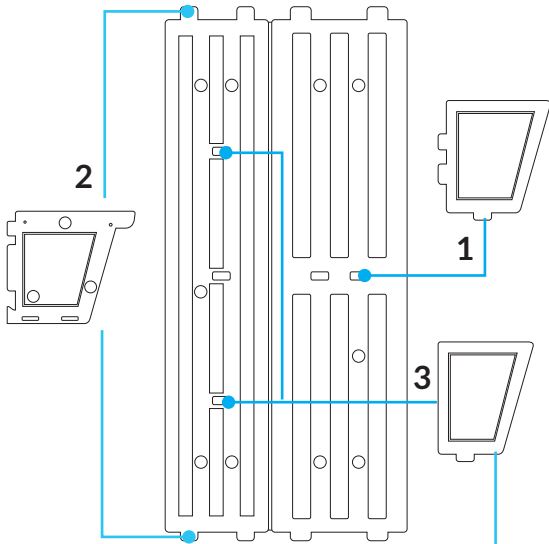
Insert the two legs F into the hollow foot of part A



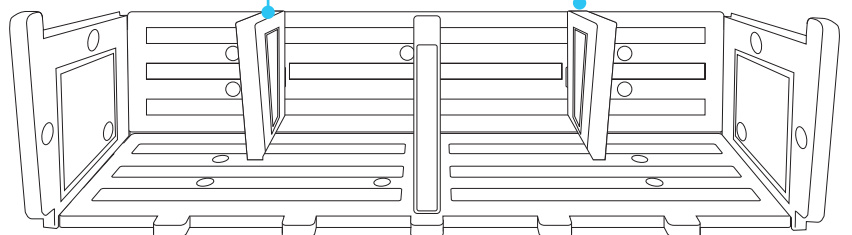
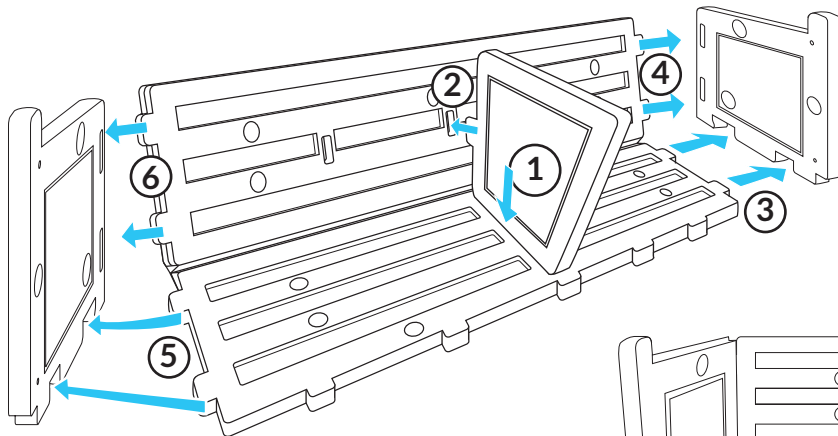
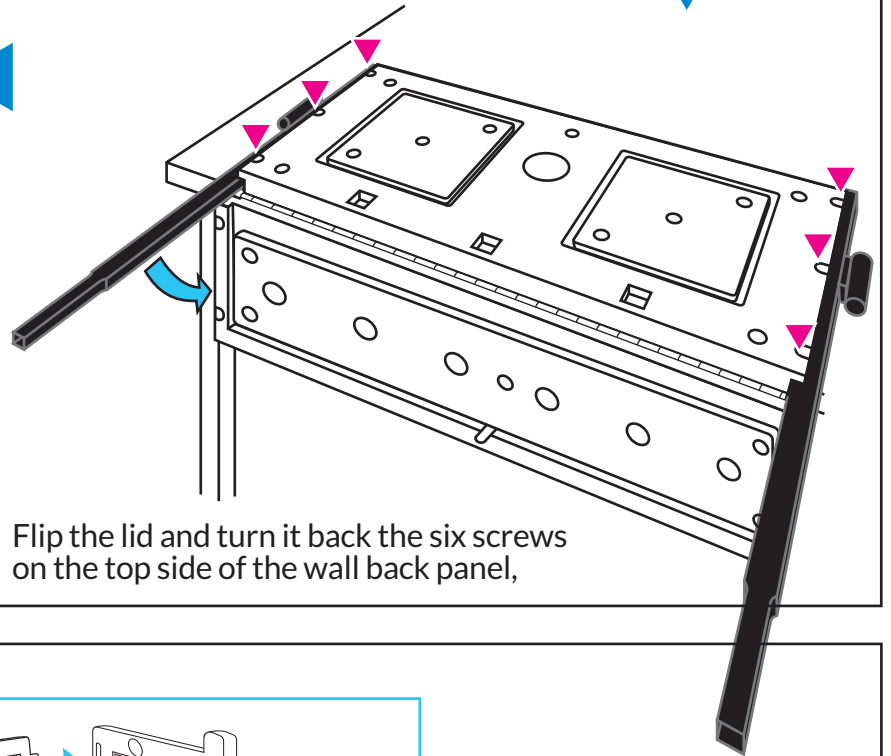
Place the back panel to the top of a table, then unscrew the back panel wall from the metal foot.



Prepare the back deck by flip the lid 90° to attach the partition wall.

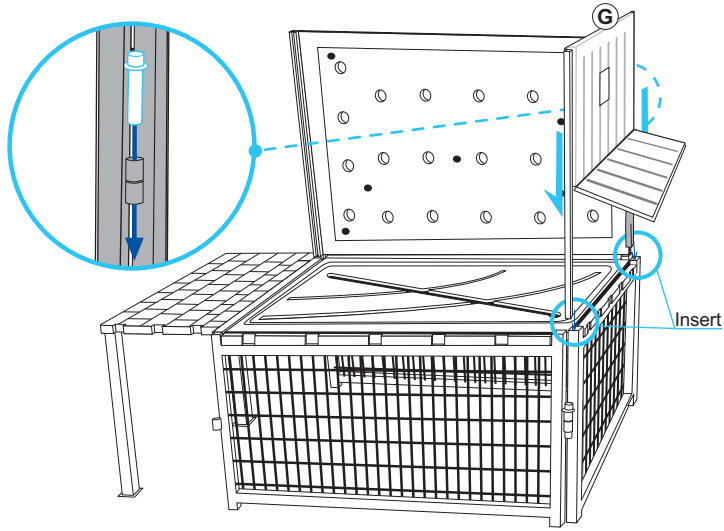


Flip the lid and turn it back the six screws on the top side of the wall back panel,

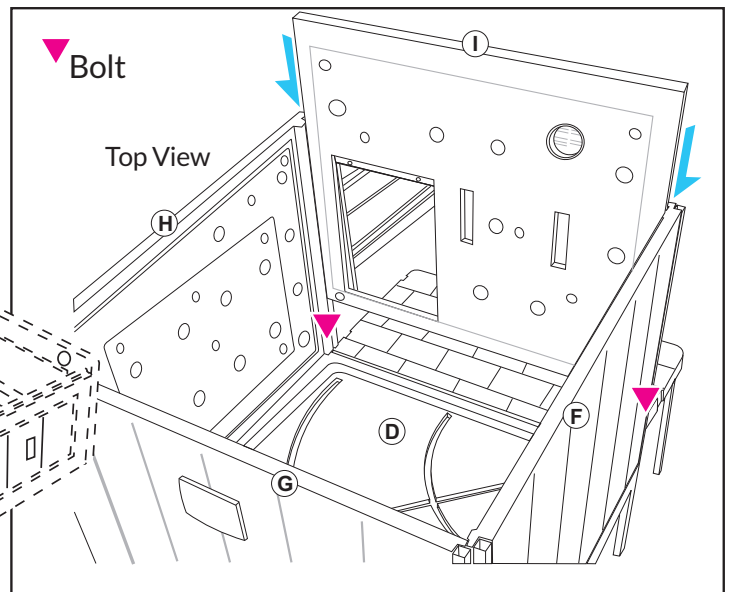
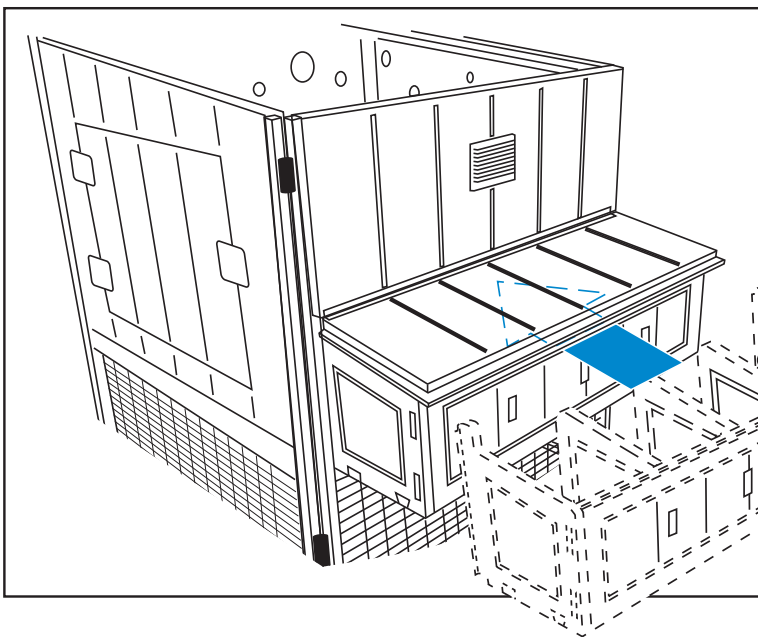
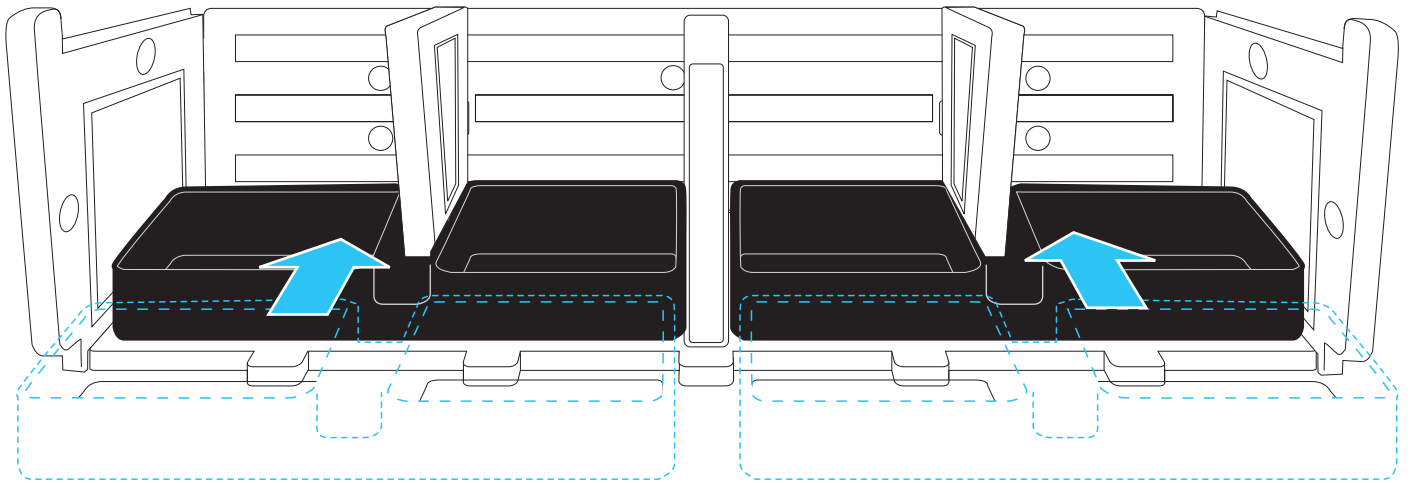
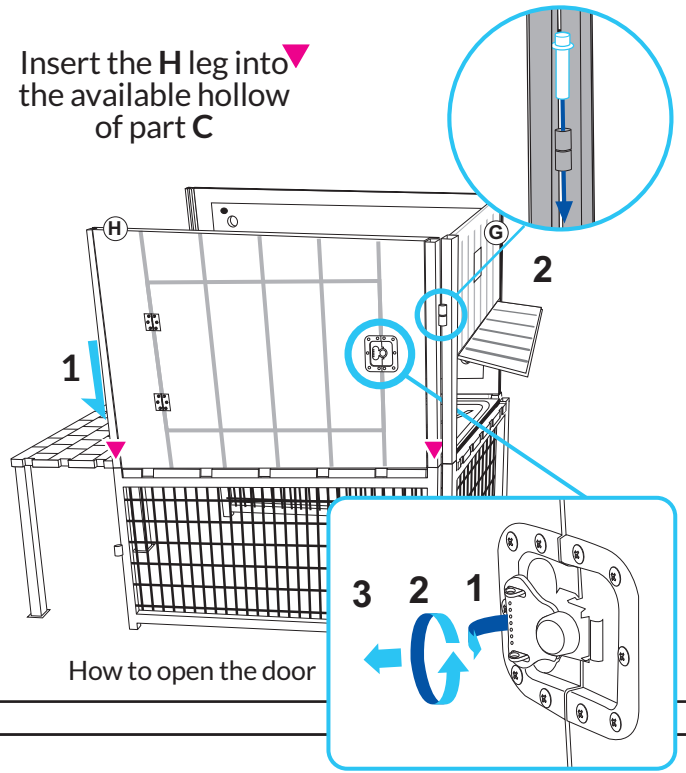


Assembling Instruction

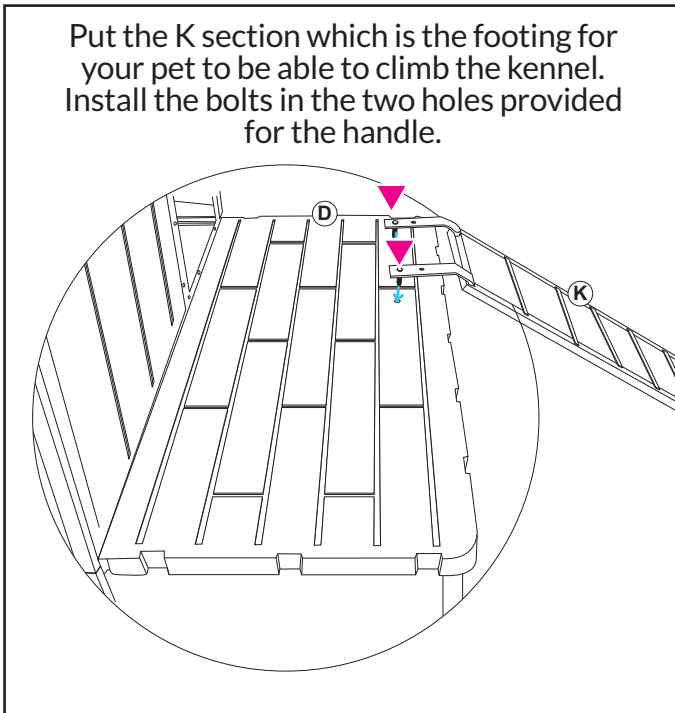
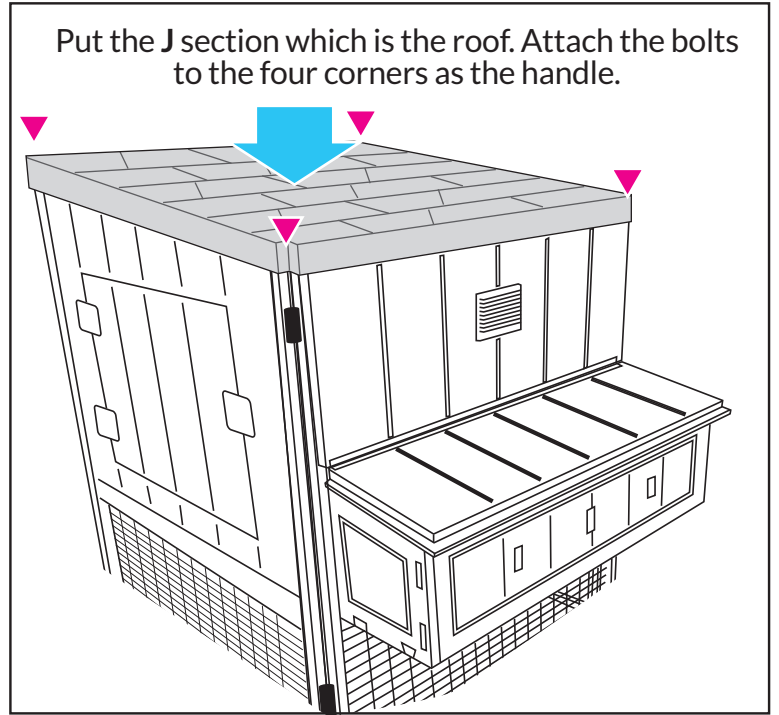
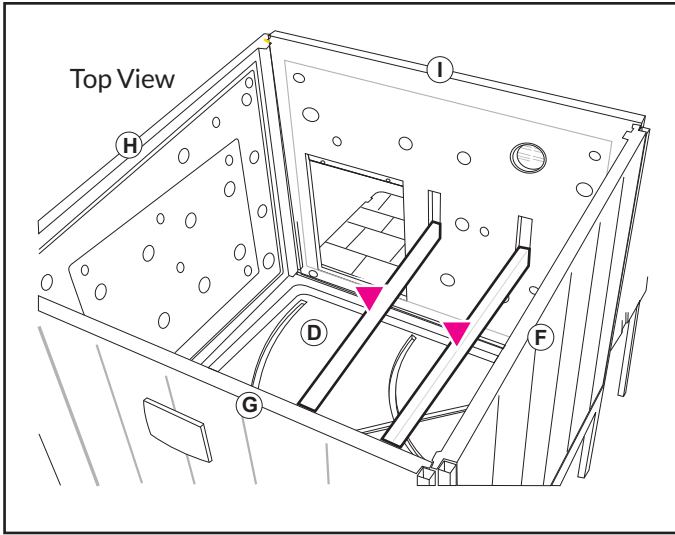
Insert the metal hinge center into the round cavity that meets between F and G.



Insert the H leg into the available hollow of part C



Assembling Instruction



The Urban Chicken Coop
is ready to use.

~ THANK YOU ~

